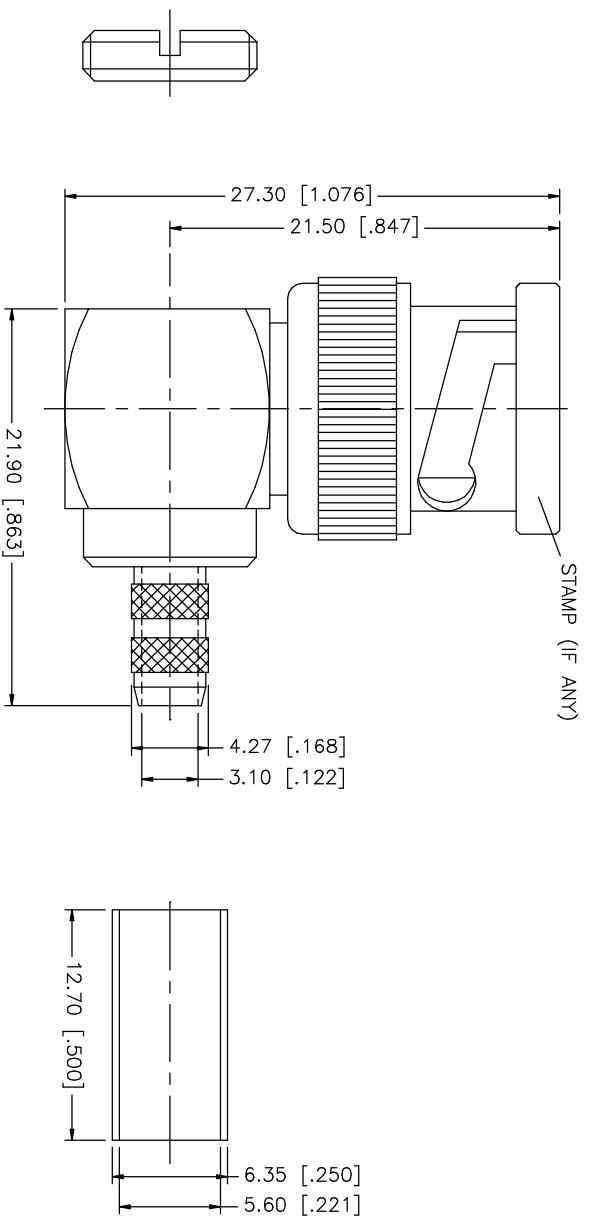
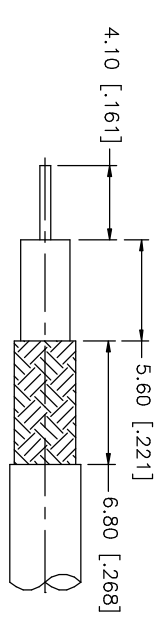


REV.	DATE	DESCRIPTION
A	06/05/03	UPDATE DRAWING FORMAT



RECOMMENDED  
CABLE STRIPPING DIM'S



NO.	DESCRIPTION	MATERIAL	FINISH	QTY	DO NOT SCALE DRAWING	CAD FILE	APPROVALS	DATE	PART DESCRIPTION	PART NO.	DWG. NO.	REV.	SIZE	SCALE	
8									<b>Amphenol Connex</b> BNC R/A CRIMP PLUG (FOR RG-223/U, 55/U, 142A/U, 400/U)	112526	112526.DWG	A	A	NA	
7															
6															
5	NUT	BRASS	NICKEL	1											
4	FERRULE	COPPER	NICKEL	1											
3	CONTACT PIN	BRASS	GOLD	1											
2	INSULATOR	DELRIN	NATURAL	1											
1	SHELL/BODY	BRASS	NICKEL	1											
					UNLESS OTHERWISE SPECIFIED, DIMENSIONS ARE IN MILLIMETERS. DIMENSIONS IN [ ] ARE IN INCHES AND FOR CUSTOMER REFERENCE ONLY. TOLERANCES FOR MILLIMETERS ARE: 0.5 - 8mm ± 0.20mm 8 - 30mm ± 0.40mm 30 - 120mm ± 0.50mm UNLESS OTHERWISE SPECIFIED, TOLERANCES FOR INCHES ARE: .020 - .315 = ± 0.007" .315 - 1.180 = ± 0.015" 1.180 - 4.724 = ± 0.020"										
DESCRIPTION						APPROVALS		DATE		DWG. NO.		REV.		SCALE	
						DRAWN		G.R.S.		06/05/03					
						CHECKED									
						ISSUED									
						SHEET		1 OF 1							